



205 Paillet Dr. Harvey, LA 70058

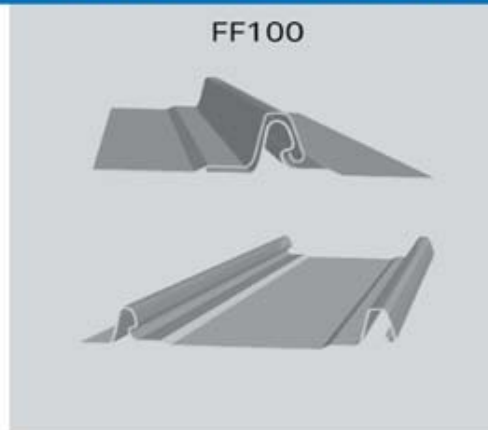
Phone: 504-368-5433

Fax: 504-368-5436

---

## DELTA SNAP – 16” STANDING SEAM

### FASTENER FLANGE PROFILE



Fastener flange profiles have similar characteristics to snap-lock profiles, except they are directly fastened to the roof deck through a flange on the panel's male leg. Once fastened, the female leg snaps over the male leg.

**NOTE: Unlike some other slotted flange panels, the DELTA SNAP/FF100 panel has a folded slotted flange that provides more metal and a thicker bearing surface at each fastener.**

This panel profile is typically used for higher slope applications, popular on residential buildings, and a cheaper standing seam profile option because you don't need as many accessories to install them. They also don't need clips for installation, saving time and money. It is recommended to run shorter lengths of panels when installing them due to oil canning or distortion from changing temperatures or expansion/contraction of metal. You'll also need a substrate or decking on the roof to put the metal panels over.

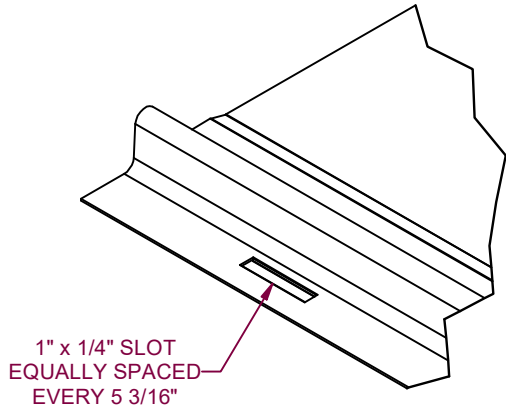
### FF100

Panel seam: 1" high

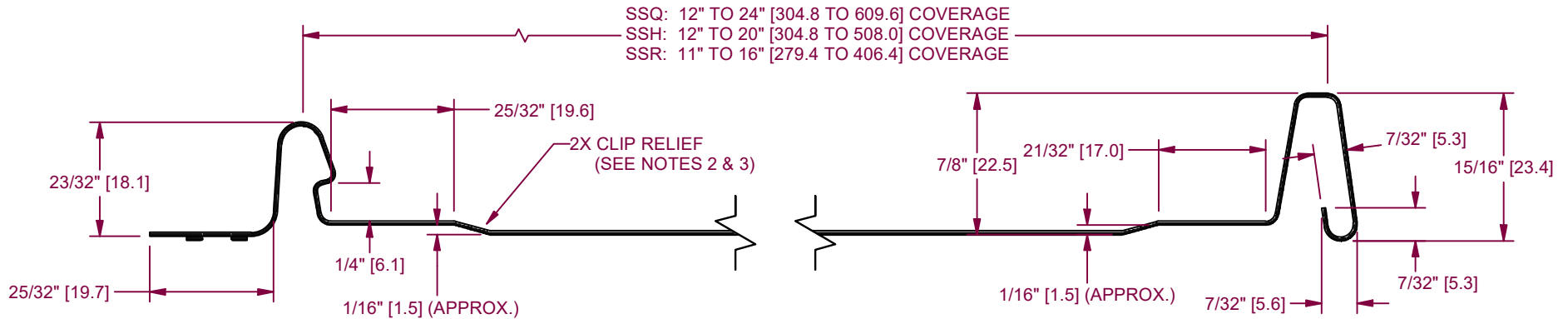
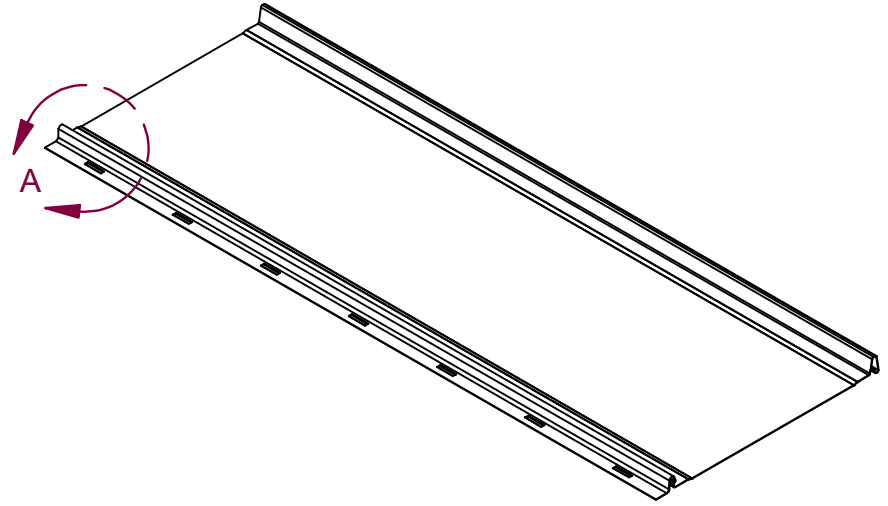
Panel material: Painted steel, painted aluminum, copper

Panel coverage: 16"

\*Clip relief rollers are recommended with this profile to prevent potential fastener head distortion.



**DETAIL A**



**3** ADDED SSH AND SSR PANEL WIDTHS

- NOTES:
1. MATERIAL USAGE: 4 1/16" APPROX.
  2. CLIP RELIEF ROLLERS ARE STANDARD WITH THIS PANEL.
  3. PANEL IS SHOWN WITH CLIP RELIEF ROLLERS ENGAGED.
  4. DUAL DIMENSIONS: Inch [mm]

MATERIAL PAINTED STEEL/PAINTED ALUMINUM/COPPER				FINISH NONE	
REVISION HISTORY	REV	ECR NO.	DATE	RELEASED BY	TOLERANCES
	1	REDRAWN	01/17/08	JD	.XX = ± .01
	2	R-1796	09/22/2011	AJB	.XXX = ± .005
	3	R-2368	6/11/2020	AJB	FRACTION = ± 1/32" ANGLE = ± 1/2'

<b>DELTA SNAP / FF100</b>					
DRAWN BY DeBerard		PART NAME FF100 PANEL PROFILE			
DATE 06/25/2002		PART NUMBER FF1-FF1		SHEET 1 OF 1	
CHECK BY FRY		DATE 01/17/2008		REVISION 3	